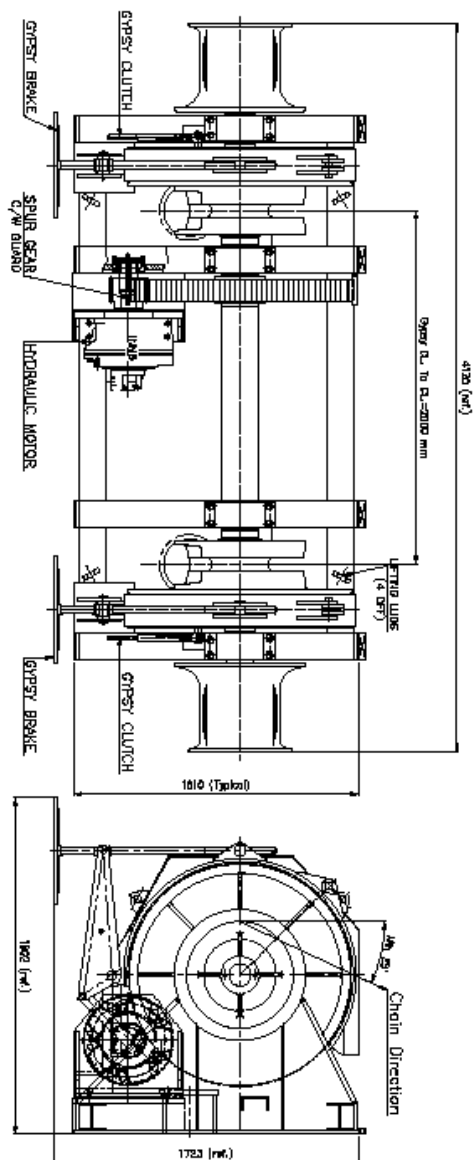




AW-GG-44K3-H ANCHOR WINDLASS

SPECIFICATION

- Chain Size : $\Phi 44\text{mm}$ K3 chain
- Rated Pull : 9.4T x 10m/min
- Overload Pull : 14.1T
- Brake Holding : 71T (static)
- Brake Assembly : Manually operated band brake
- Clutch Assembly : Manually operated jaw clutch
- Control : Local control stand adjacent to windlass



Landscape City, 5-1-302, The forth street TEDA, TianJin, China 300457 天津开发区第四大街伴景湾家园 5-1-302

Tel 电话 : 86-22-66372115

Fax 传真 : 86-22-66372117

Linkman 联系人 : 韩大为

Email 电邮 : han@sinolinker.net