



AMW-GDD-13-30-73U3-H

ANCHOR WINDLASS MOORING WINCH

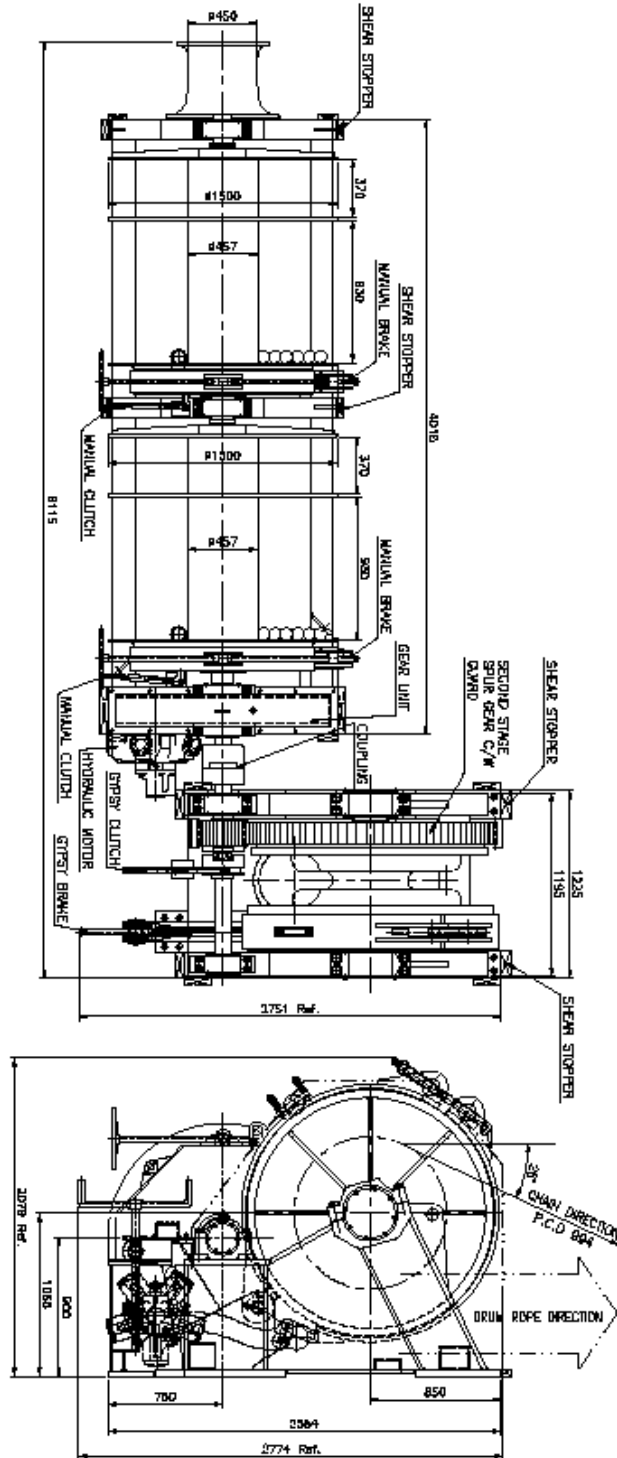
SPECIFICATION

Gypsy Size	: 73mm dia U3 chain
Gypsy Rated Pull	: 26T x 0~10m/min
Gypsy Overload	: 39T
Gypsy Brake	: 185T (static, 1st layer)
Brake Assembly	: Manually operated
Clutch Assembly	: Manually operated
Drum Capacity	: 200m x Φ 75mm (P.P rope, each drum 6 layers)
Rated Pull	: 13T x 0~15m/min (1st layer only single drum working)
Brake Holding	: 30T (static, 1st layer)
Brake Assembly	: Manually operated
Clutch Assembly	: Manually operated
Control	: Local control stand adjacent to winch



AMW-GDD-13-30-73U3-H

ANCHOR WINDLASS MOORING WINCH



Landscape City, 5-1-302, The forth street TEDA, TianJin, China 300457 天津开发区第四大街伴景湾家园 5-1-302

Tel 电话 : 86-22-66372115

Fax 传真 : 86-22-66372117

Linkman 联系人 : 韩大为

Email 电邮 : han@sinolinker.net