

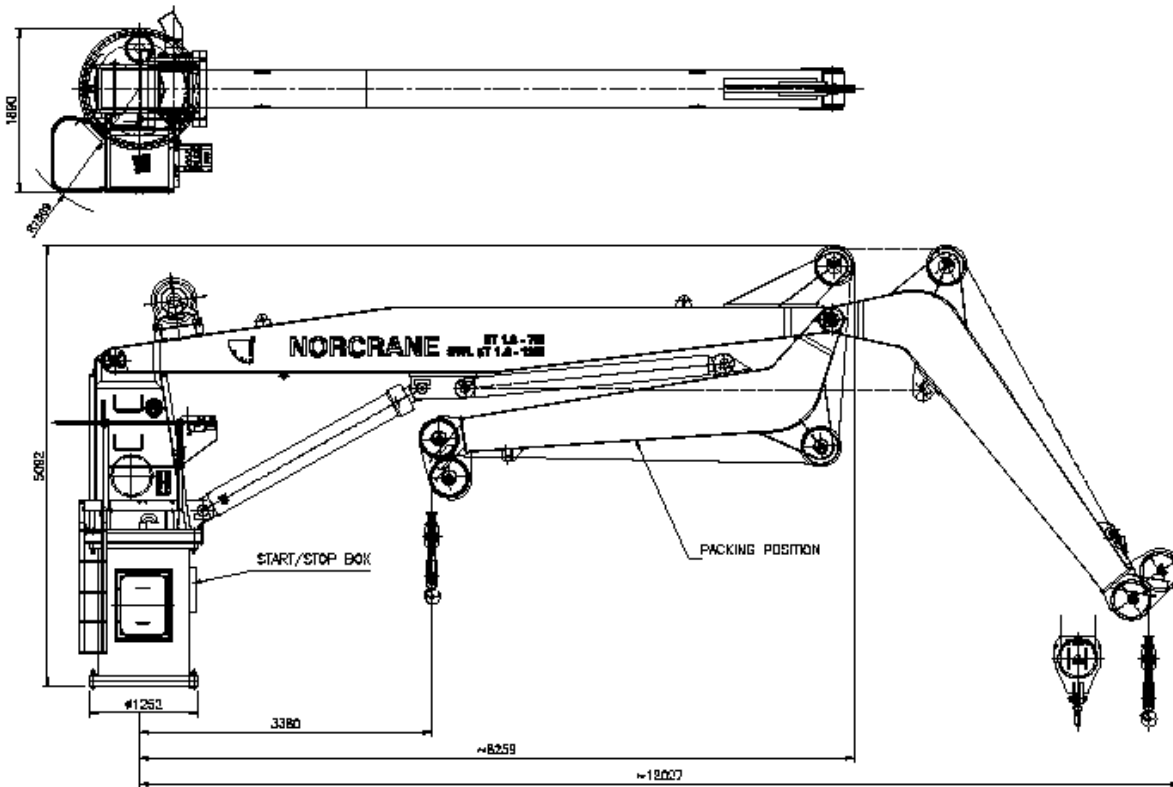


KC115-0512

KNUCKLE BOOM CRANE

SPECIFICATION

- S.W.L : 8T @ 1.8-7M
- : 5T @ 1.8-12M
- Max. Outreach : 12 M
- Min. Outreach : 1.8 M
- Hook Travel : 30 M
- Hoisting Speed : 0~20 m/min
- Luffing Time (average) : 52 Sec.
- Slewing Sector : 360° Continuously limit switch to be install
- Number Of Falls : 2
- Slewing Speed : 1 rpm
- Power Pack : Build in
- Max. Tilting Moment : 115TM
- Max. Thrust Force : 15.8T
- Max. List/Trim : 5/2°



Landscape City, 5-1-302, The forth street TEDA, TianJin, China 300457 天津开发区第四大街伴景湾家园 5-1-302

Tel 电话 : 86-22-66372115

Fax 传真 : 86-22-66372117

Linkman 联系人 : 韩大为

Email 电邮 : han@sinolinker.net