



AMW-GDDG-10-30-46K2-H

ANCHOR WINDLASS MOORING WINCH

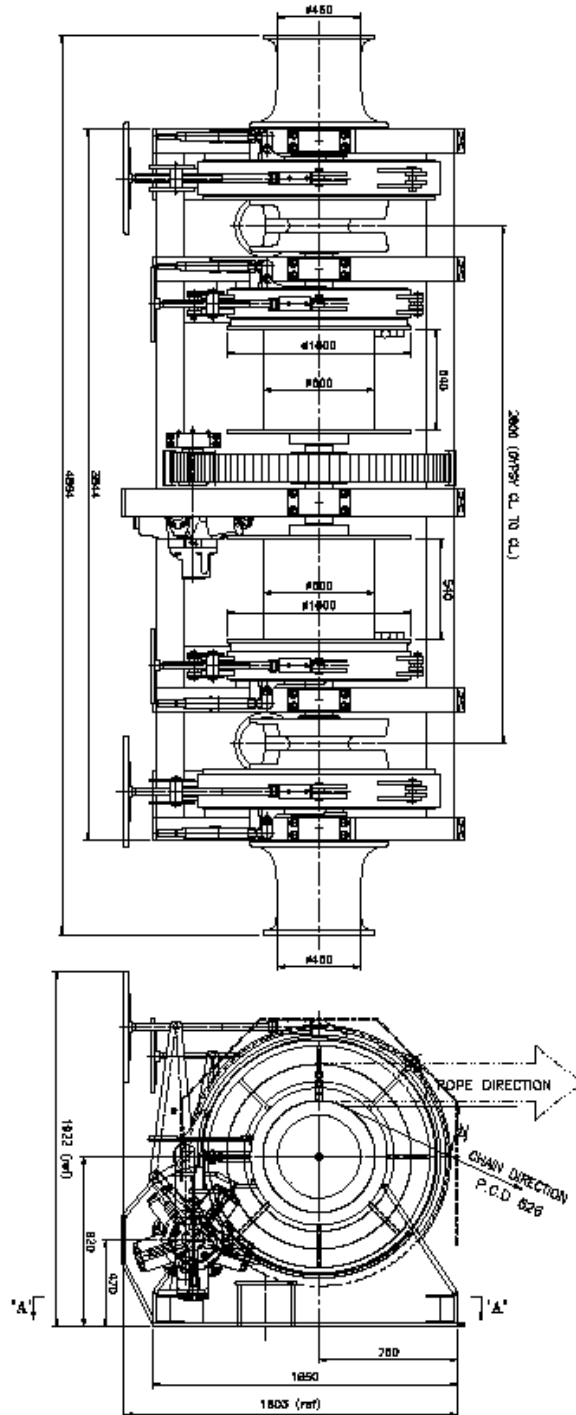
SPECIFICATION

Gypsy Size	: 46mm dia K2 chain
Gypsy Rated Pull	: 9T x 0~13.5m/min
Gypsy Overload	: 13.6T
Gypsy Brake	: 53.8T (static)
Brake Assembly	: Hydraulic operated
Clutch Assembly	: Hydraulic operated
Warping Speed	: 0~30m/min
Drum Capacity	: 2 x 120m x Φ 40mm (S.W.R, each drum 4 layers)
Rated Pull	: 10T x 0~14m/min (1st layer only single drum working)
Brake Holding	: 30T (static, 1st layer)
Brake Assembly	: Hydraulic operated
Clutch Assembly	: Hydraulic operated
Control	: Local & remote control



AMW-GDDG-10-30-46K2-H

ANCHOR WINDLASS MOORING WINCH



Landscape City, 5-1-302, The forth street TEDA, TianJin, China 300457 天津开发区第四大街伴景湾家园 5-1-302

Tel 电话 : 86-22-66372115

Fax 传真 : 86-22-66372117

Linkman 联系人 : 韩大为

Email 电邮 : han@sinolinker.net